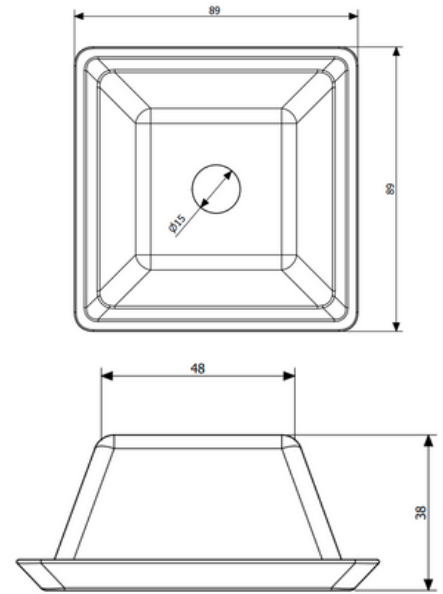
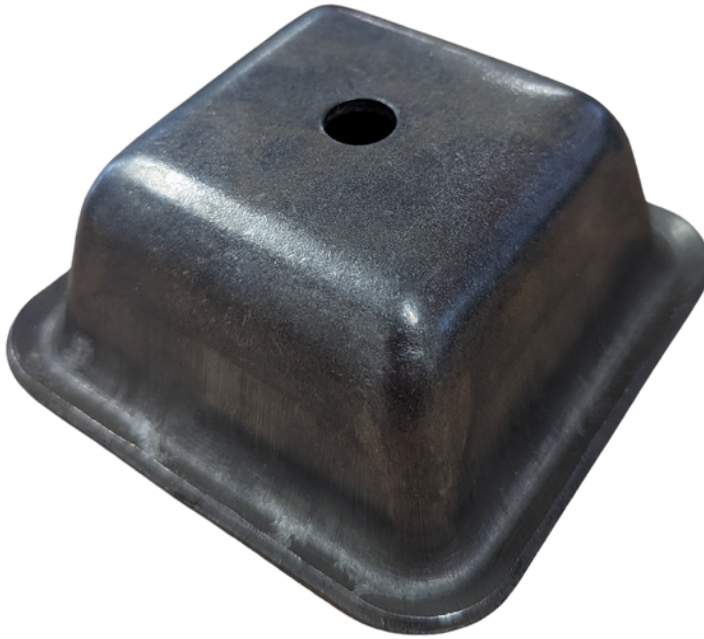


40MM PALLET FOOT

BSPFE002



TECHNICAL SPECIFICATIONS

SPEC

BSPFE002 - 40mm Pallet (Elephant) Foot

MATERIAL	2.5mm Mild Steel
WEIGHT	240g
POST SIZE	50mm

Suitable for:

BSPFE002:

- 40x40 box sections
- 30x30 box sections



01782 322 900



sales@bluestarproducts.co.uk